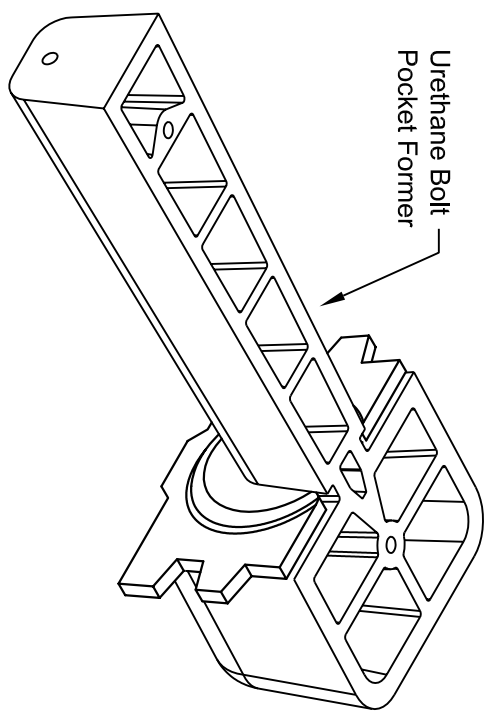
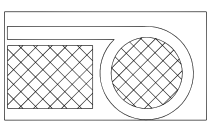


Fax to:	Customer	Approved/Notes
Fax#	Project	
From	Job#	Ship Date
Date	PA Insert Quote/Order#	Page ____ of ____

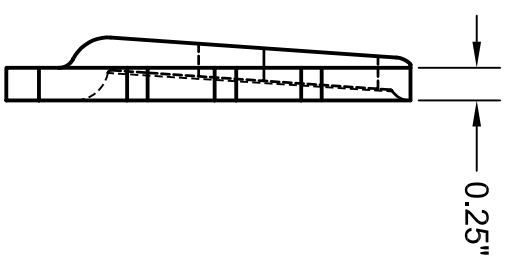
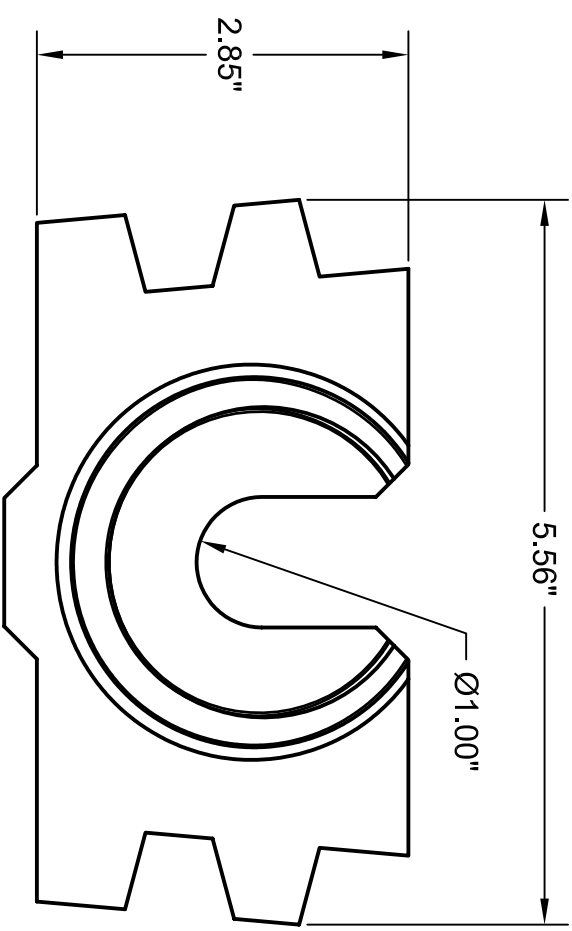
PA Insert Corp
 PO Box 199
 Spring City, PA 19475
 tel: 610-948-9688
 fax: 610-948-9750

email: sales@pennsylvaniainsert.com
 web: www.pennsylvaniainsert.com



BOLT POCKET PLATE (use with bolt pocket former)

- *1/4" Galvanized Steel Plate Standard, distributes bolt load
- Teeth anchor plate securely in concrete
- Pressed center keeps bolt in position
- **Fits securely into reusable bolt pocket former



*Plain Steel or Stainless Steel Optional
 **Urethane Bolt Pocket Former sold separately (part number 4023)