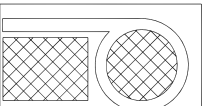


Fax to:	Customer	Approved/Notes
Fax#	Project	
From	Job#	Ship Date
Date	PA Insert Quote/Order#	Page ____ of ____

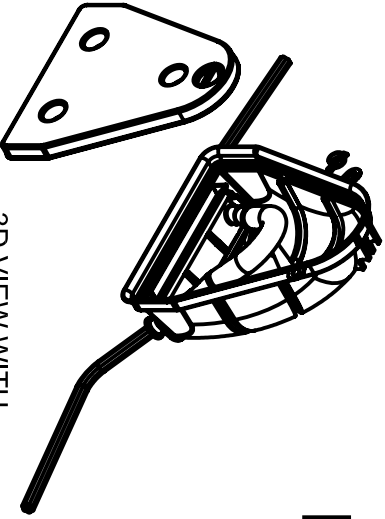
PA Insert Quote/Order#	Page ____ of ____
------------------------	-------------------

Pennsylvania Insert Corp
 P.O. Box 199
 Spring City PA 19475
 tel: 610-948-9688
 fax: 610-948-9750

email: sales@pennsylvaniainsert.com
 web: www.pennsylvaniainsert.com

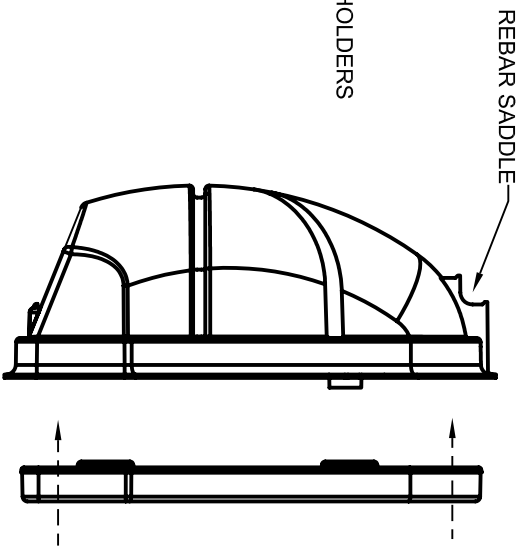
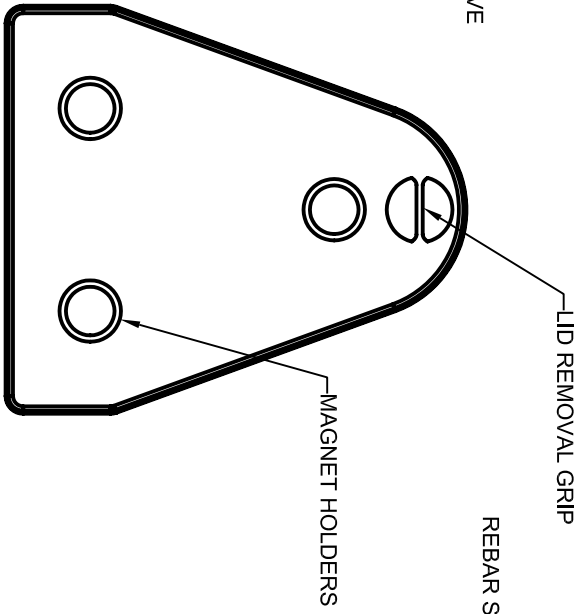
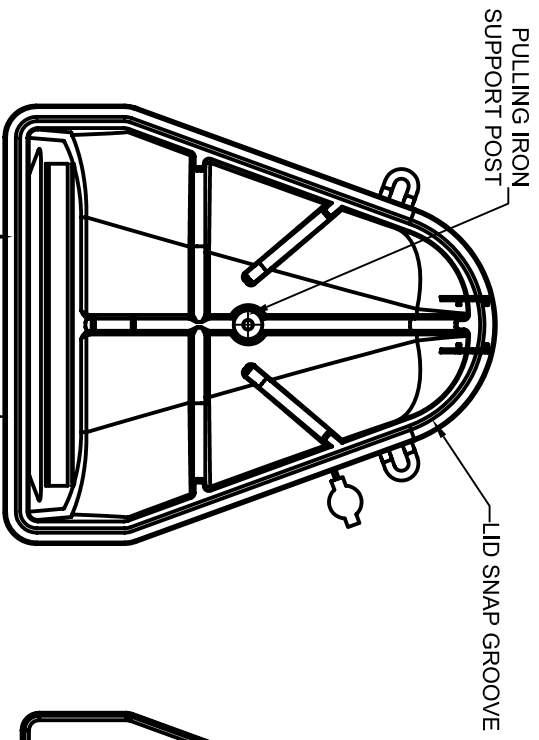


NEW PULLING IRON POCKET AND LID



3D VIEW WITH PULLING IRON IN POCKET

- PULLING IRON SNAPS SECURELY INTO POCKET
- SUPPORT POST KEEPS PULLING IRON IN POSITION
- LID SNAPS SECURELY INTO POCKET
- LID HOLDS MAGNETS



PULLING IRON SNAPS IN

LID

SIDE VIEW

NO SCALE

08/20/04