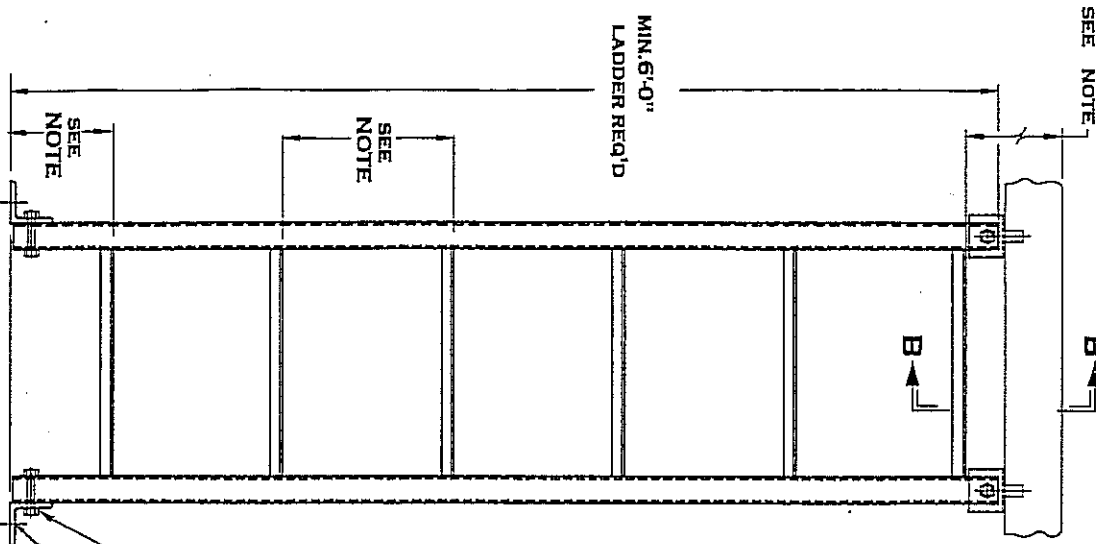


FAX TO:	CUSTOMER	APPROVED/NOTES
FAX#	PROJECT	
FROM	JOB#	SHIP DATE
DATE	PA INSERT QUOTE/ORDER#	PAGE ____ OF ____

APPROVED/NOTES

PA. INSERT CORP.
 PO Box 199
 Spring City PA 19475
 tel: 610-948-9688
 fax: 610-948-9750
 email: sales@pennsylvanialinsert.com
 web: www.pennsylvanialinsert.com

PA. INSERT - LADDER INSTALLATION



STEP 1
 UNBOLT, REPOSITION & REBOLT, ADJUSTABLE CHANNEL BRACKETS AS SHOWN. (DO NOT TIGHTEN ALL THE WAY SO THAT THEY CAN BE SLID UP OR DOWN)

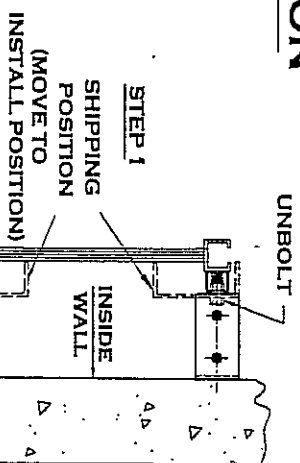
STEP 2
 POSITION LADDER IN STRUCTURE & SECURE, ADJUSTABLE BRACKET, TO WALL OR ROOF. TIGHEN BRACKET, ADJUSTING NUT.

STEP 3
 SECURE FOOT ANGLES & ANY MID-BRACKETS (IF ANY) TIGHTEN ALL BOLTS.

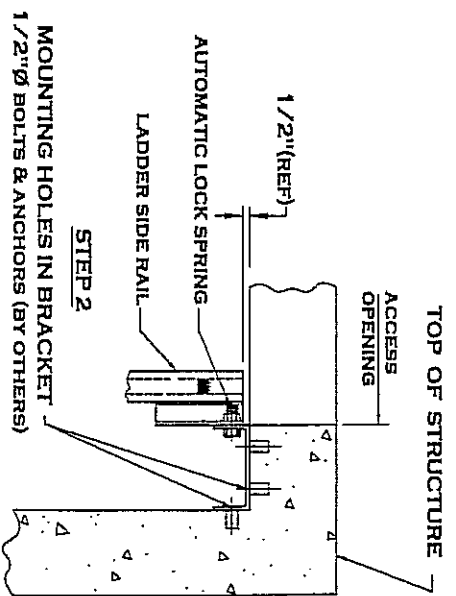
NOTE
 * OSHA REQUIRES THE DISTANCE FROM TOP OF STRUCTURE TO THE 1ST. RUNG TO BE 12" OR LESS

(2) FOOT ANGLES, ARE PRE-BOLTED TO RAIL.

STEP 3
 5/8"Ø HOLES PROVIDED FOR 1/2"Ø BOLTS & ANCHORS (BY OTHERS)



PLAN



SECTION B-B