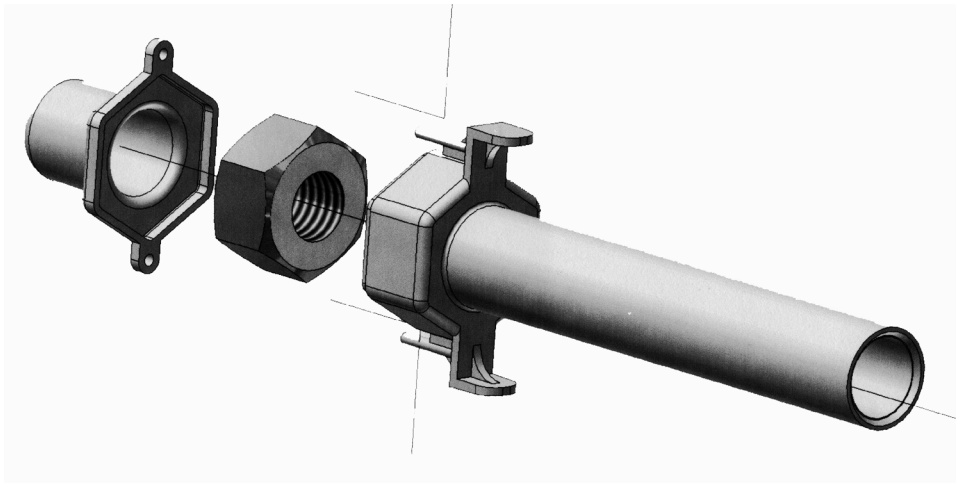


## > Introducing: Hex Nut Insert



Our Hex Nut Insert is the economical alternative to the stainless steel insert. The plastic shell serves as a locator for the nut which is available in stainless steel, galvanized, or zinc plated in the following sizes: 1/2"; 5/8"; 3/4"; 7/8"; 1".

Suitable for a variety of applications.

For more details or to request a sample, please contact us.



phone: 800.220.4857    sales@pennsylvaniainsert.com    fax: 610.948.9750

> serving concrete producers for over 30 years